



GCSE Mathematics

How to support your child with
revision

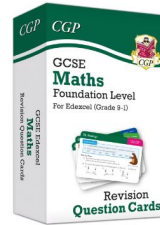
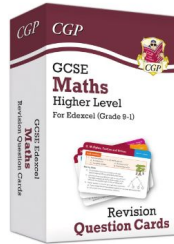
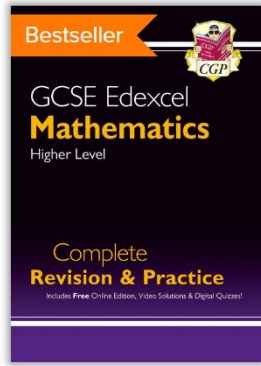
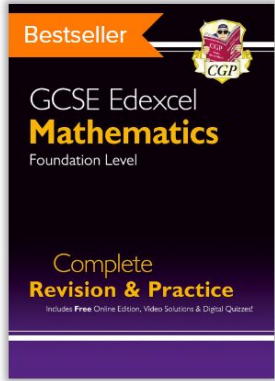
October 2024

Maths

The best way to revise maths is to do maths!

1. Use the **QLAs** from the Y10 mocks to decide which topics to focus on. Look at the topics where you got **some** but not all marks.
2. Use exam questions to practice. We are an **EDEXCEL** school.
3. Complete **SPARX** every week.
4. Use corbettmaths videos and exam practice questions.
5. **Flashcards** - These can be self made or purchased with key terminology.
6. **Tassomai** - Complete your daily goal. The more you **practice** the more you will know!

7. Purchase a good quality revision guide at the appropriate level.
We recommend the following



8. Have a good quality **CASIO** scientific calculator (also useful for your Science exams) and a maths set.

Calculators, maths sets, revision guides and flashcards will be available, at a discounted price, on Parent pay early next week.



BUG

BOX

Underline


Go over

Box the command vocabulary

Work out

Write

Find

Solve

Show

Draw

Change

Justify

Expand

Expand and simplify

Simplify

Simplify fully

Complete

Factorise

Factorise fully

Describe

Explain

Calculate

 Underline the key information - words, numbers, variables

Go over the question again - check the marks allocated, have you shown enough process, review your answer - is it reasonable?


Geometry

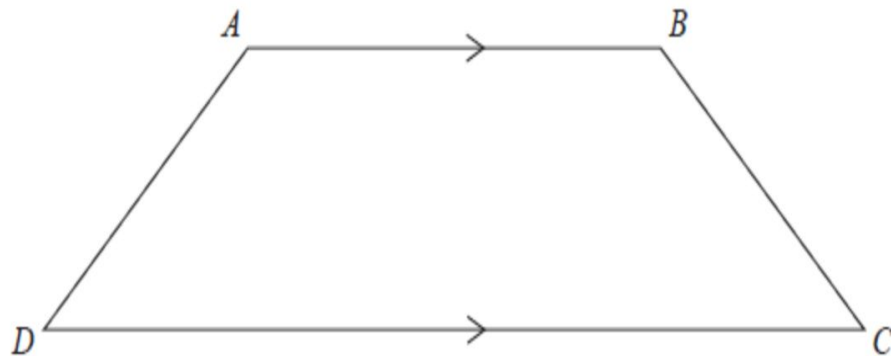
**BUG**

BOX

Underline

 Go over

The diagram shows a trapezium.



$AD = x$ cm.

BC is the same length as AD .

AB is twice the length of AD .

DC is 4 cm longer than AB .

The perimeter of the trapezium is 38 cm.

Work out the length of AD .

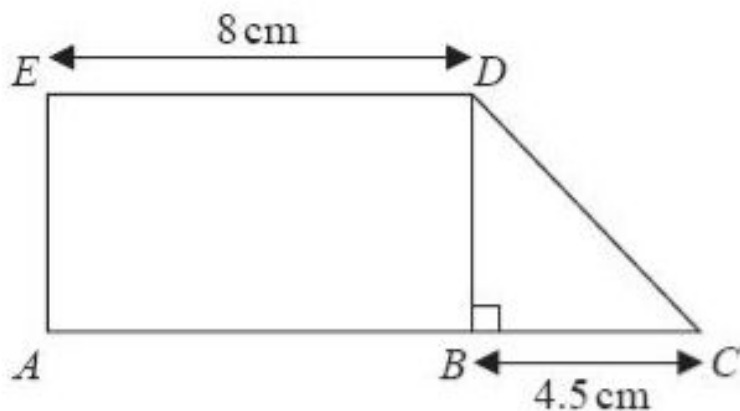


Diagram NOT
accurately drawn

$ABDE$ is a rectangle.

ED is 8cm.

BDC is a right-angled triangle.

BC is 4.5cm.

ABC is a straight line.

The area of the rectangle $ABDE$ is 40cm^2 .

Work out the area of the triangle BDC .

Ratio and Proportion



* The normal price of a denim shirt at a shop is £9.60

 $\frac{1}{3}$

On Special Offer Day, there is $\frac{1}{3}$ off the normal price.



Billy has £13

Has he enough money to buy two denim shirts on Special Offer Day?



Shazia buys 10 boxes of drinks.

The cost of each box of drinks is £5

Each box holds 12 cans of drink.

 $\frac{2}{3}$

Shazia sells $\frac{2}{3}$ of the total number of cans for 60p each.

She then sells all the remaining cans for 30p each.

Work out the total profit that Shazia makes.



BUG

BOX

Underline



Go over

Liam, Sarah and Emily shared some money in the ratio 2 : 3 : 7

Emily got £80 more than Liam.

How much money did Sarah get?

**BUG**

BOX

Underline

Go over

* Two shops, Mega Bathrooms and Bathroom Mart, each have a sale.

Mega Bathrooms

Sale

60% off normal price
then
15% off

Bathroom Mart

Sale

$\frac{2}{3}$ off normal price

Sally wants to buy some bathroom units.

The units have a normal price of £1500

Sally wants to buy the units as cheaply as possible.

Which shop should she buy the units from?

You must show all your working.

Number

**BUG**

BOX

Underline

Go over

Paul organised an event for a charity.

Each ticket for the event cost £19.95

Paul sold 395 tickets.

Paul paid costs of £6000

He gave all money left to the charity.

(a) Work out an estimate for the amount of money Paul gave to the charity.

**BUG**

BOX

Underline

Go over

Q3.

Tom and Amy set the alarms on their phones to sound at 6.45 am.

Both alarms sound together at 6.45 am.

Tom's alarm then sounds every 9 minutes.

Amy's alarm then sounds every 12 minutes.

At what time will both alarms next sound together?



The table gives information about the cost of cinema tickets.

Cinema tickets	Before 5pm	5pm and after
adult ticket	£6.35	£7.55
child ticket (ages 2 – 12)	£4.75	£5.65
teen ticket (ages 13 – 18)	£5.05	£6.05
family ticket (for 4 people)	£19.00	£22.60

Mr and Mrs White have 2 children.

One child is aged 10

The other child is aged 14

Mr and Mrs White and their 2 children go to the cinema **after** 5pm.

It is cheaper for Mr and Mrs White to buy 1 family ticket than to buy 4 separate tickets.

How much cheaper?